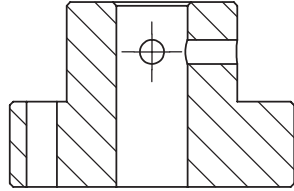
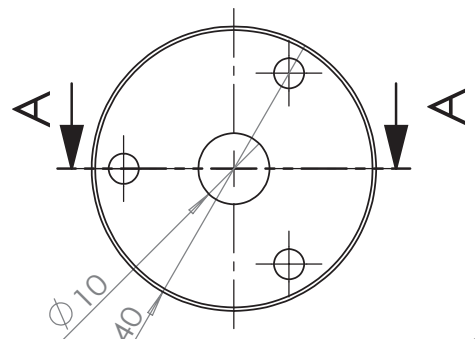
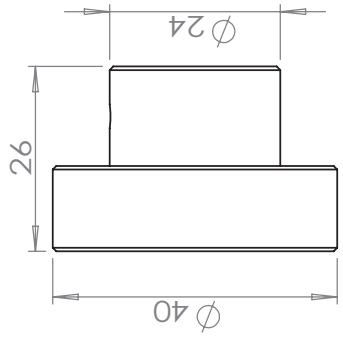
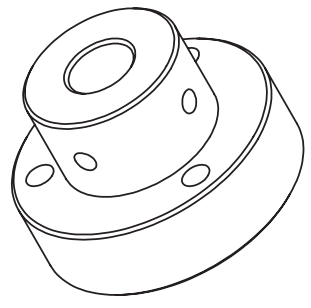
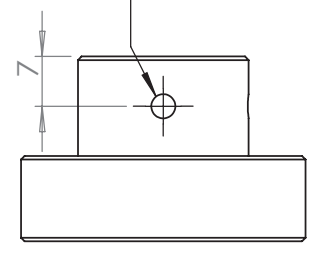
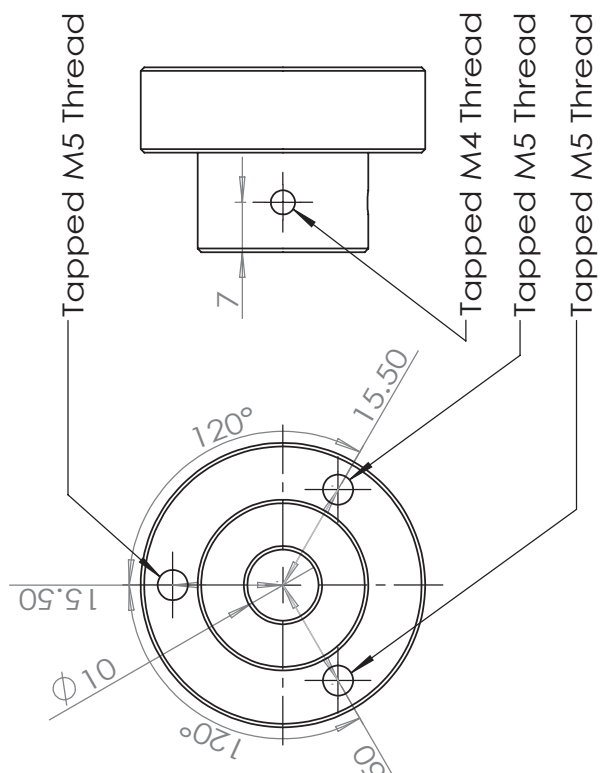


1 2 3 4 5 6



SECTION A-A



TITLE:	Bush - Steel - 10mm	A4
UNIT:	MM	SHEET 1 OF 1
SCALE:	1:1	REVISION:
DATE:	24/2/2015	1.0

1 2 3 4